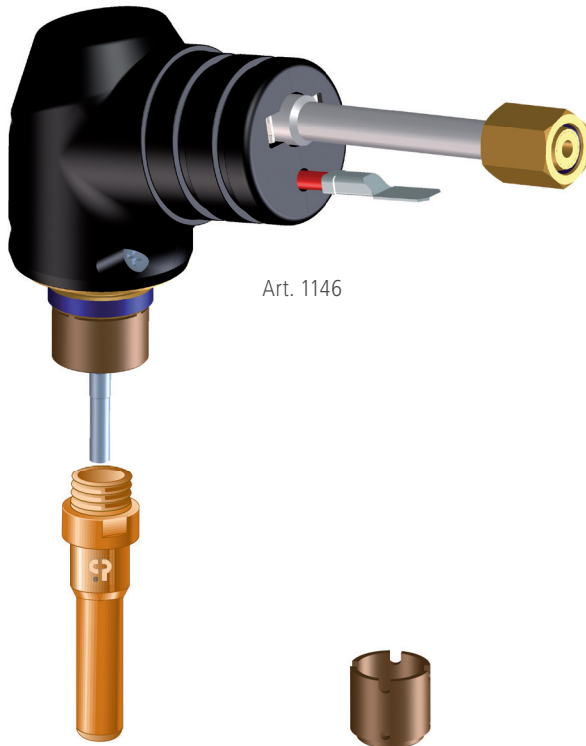


ACCESSORI E PARTI DI CONSUMO
ACCESSORIES AND CONSUMABLES



Art. 1146



Art. 1368



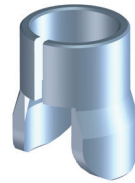
Art. 1958



Art. 1765



Art. 1911



Art. 1404